



WE TEACH DRAMA
TRAIN | LEARN | INSPIRE



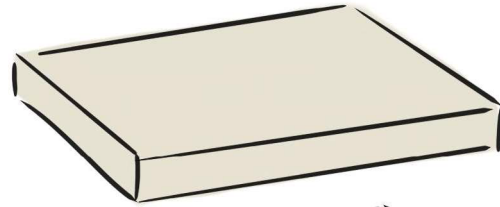
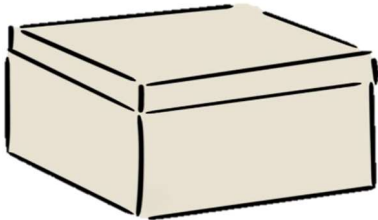
Shoebbox Theatre Resource Pack

You will need:

- 1 shoebox (with separate lid)
- Scalpel (or scissors)
- Metal ruler
- Double sided tape (or glue)
- Masking tape
- Paints/ pens/ pencils
- Extra card, paper and fabric for getting creative!

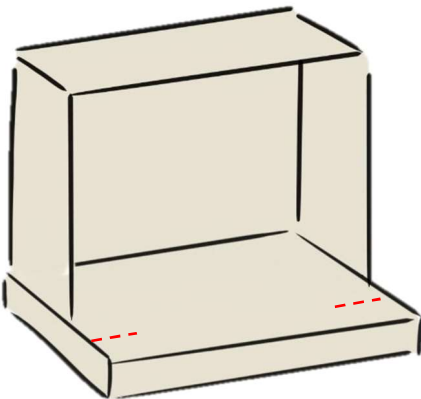
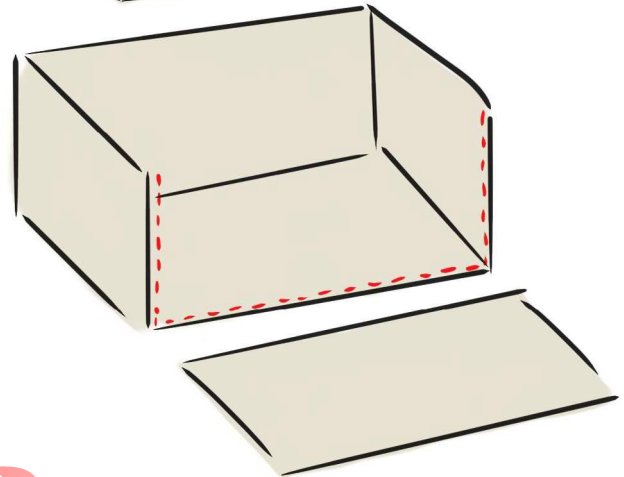
Step One:

- Remove lid
- Place lid face down on table
- Carefully cut out one of the long sides of the box



Step Two:

- Place box on top of the lid
- Attach box to lid (with masking tape or glue)
- Measure the piece you cut from the box into 3 even strips and mark with pencil
- Cut the extra piece along pencil lines

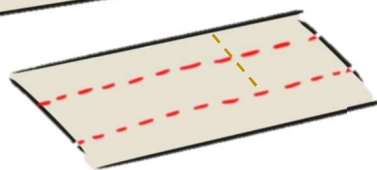


Step Three:

- Carefully score 2 of the 3 strips a few inches from the top, and bend into a right angle (you will need to measure this)

These pieces will form the sides of your proscenium arch, and give your stage more depth

- Cut slots either side of the lid, wide enough to fit your side strips

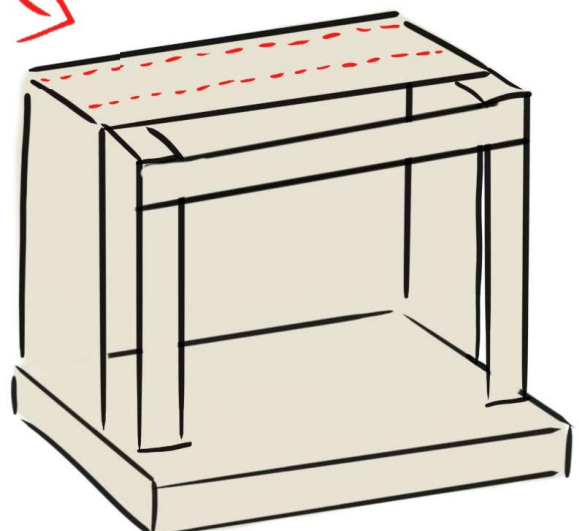


Step Four:

- Push side strips a few centimetres into slots and tape underneath
- Bend the strip where you scored it, and stick to the main box (with double sided tape)
- Use the final strip as the top of the proscenium (attach to the sides with double sided tape)

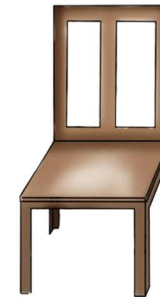
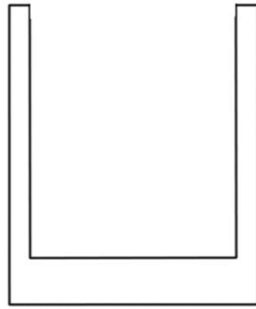
Your basic model box is complete!

Now you can decorate your stage however you like! Try making flats and scenic elements out of spare card- cut slots in the top of the box to 'fly' the pieces in and out. You could make a backdrop or cyclorama for the back wall with tracing paper, and curtains with felt or fabric. You could also try using battery powered LED lights to give your stage atmosphere

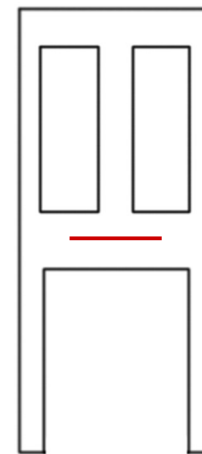
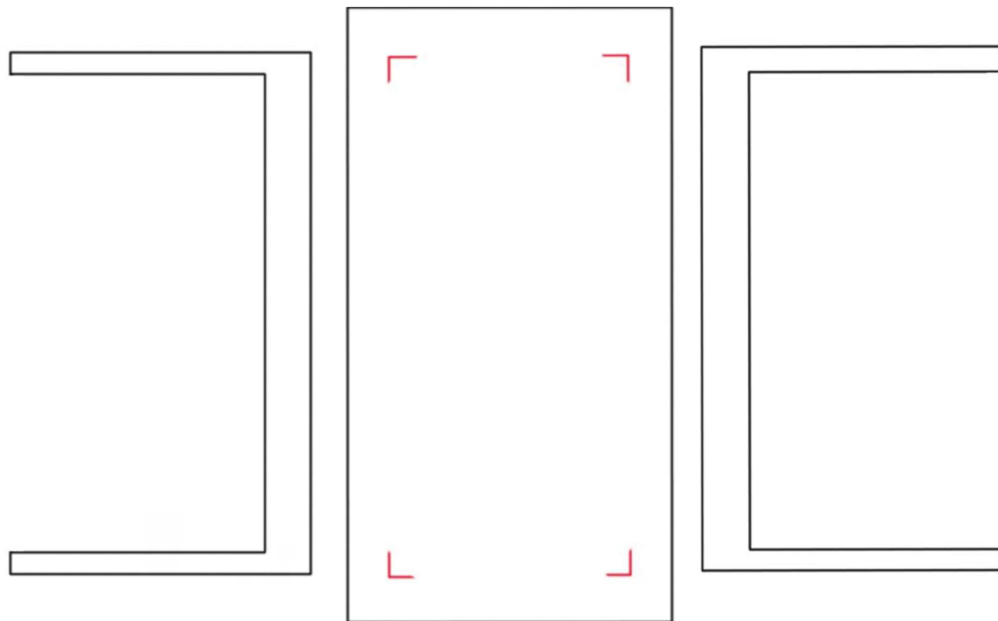
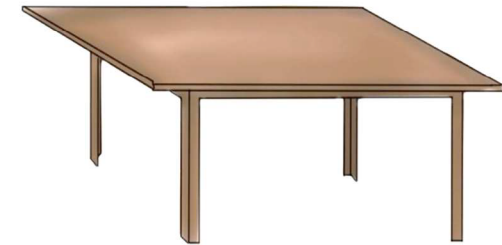




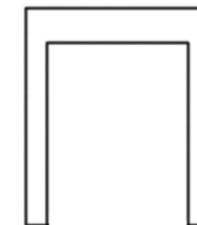
1:25 Scale Table and Chairs Template



Finished Table & Chairs



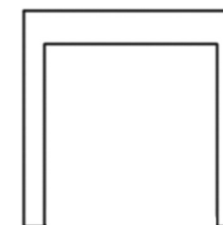
Back



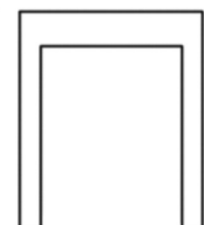
Left Side



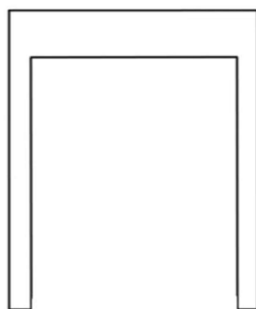
Seat



Front



Right Side

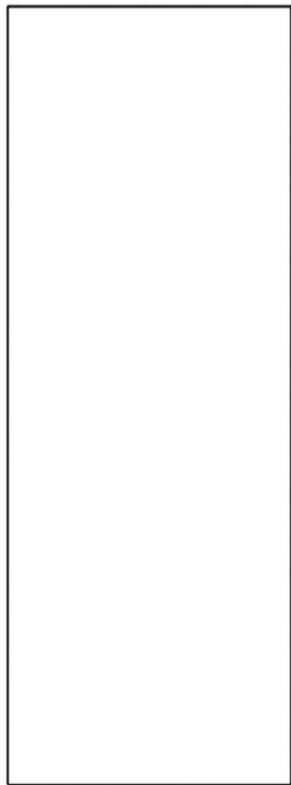


Instructions:

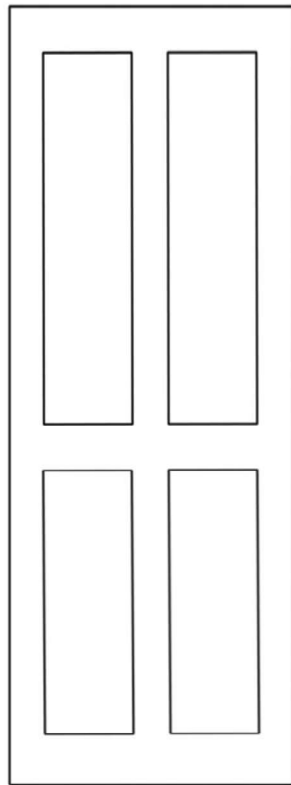
- Print page on A4 paper
- Cut out shapes with scalpel
- Paste templates onto mount board or thick card (use spray mount or a temporary glue)
- Cut around shapes and remove paper templates
- Paint the pieces to fit your design
- Glue pieces together with all-purpose adhesive
- Finish with coat of PVA for a varnished surface

This template will give you a 1:25 scale model of a simple table and chair, try adapting the design and experimenting with paint techniques

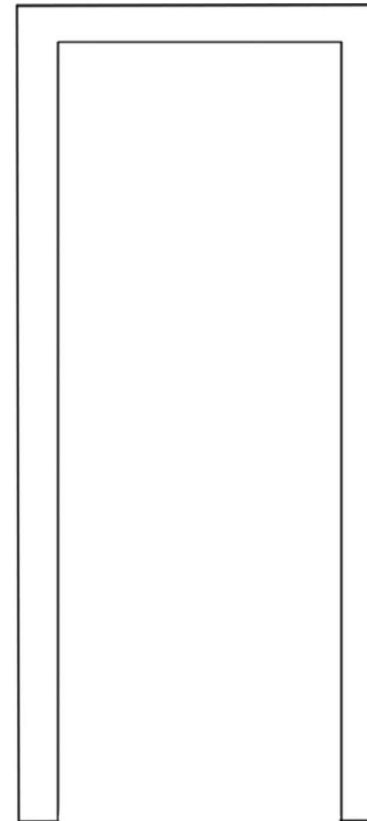
1:25 Scale Door Template



Piece 1



Piece 2



Piece 3



Finished door



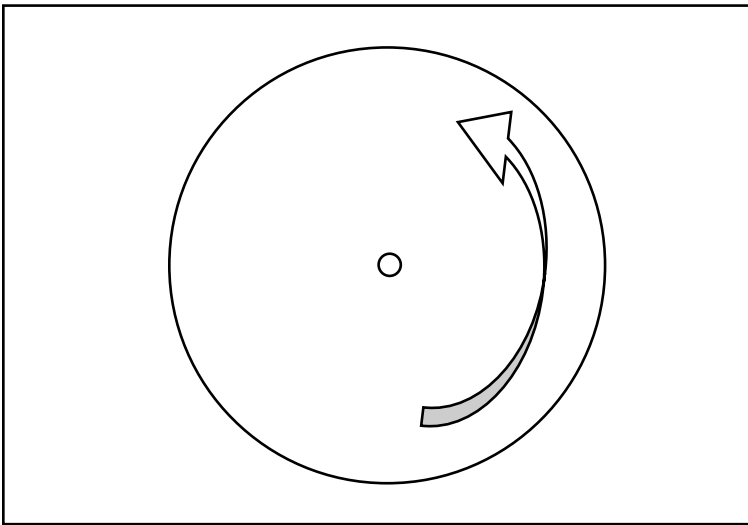
Piece 4

Instructions:

- Print this page on A4 paper
- Cut out shapes with a scalpel
- Paste templates onto mount board or thick card (use spray mount or a temporary glue)
- Cut around shapes and remove paper templates
- Paint the shapes to fit your design
- Glue **Piece 2** onto **Piece 1** to make **the door**
- Using thin paper as a hinge, attach **the door** to Piece 3 (**the doorframe**)
- Glue Piece 3 onto Piece 4 as shown in image (use pins from underneath to support frame)

This template will give you a 1:25 scale model of a standard doorway, try adapting it to fit your design! (You could cut out the top panels to create a door with windows, glue tracing paper behind them for frosted glass)

Model Revolve, Steps, Legs and Borders



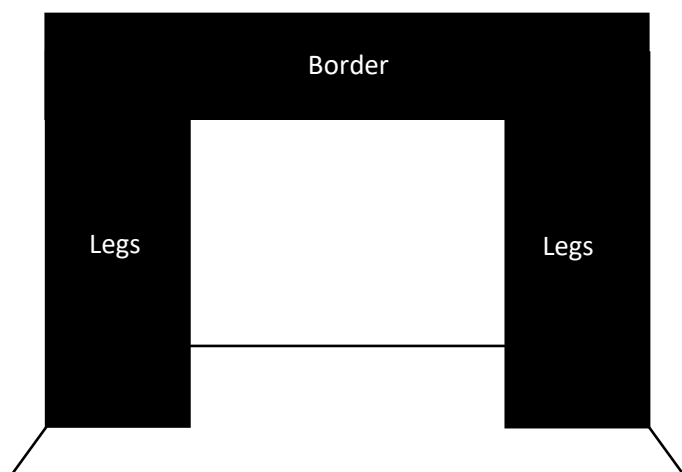
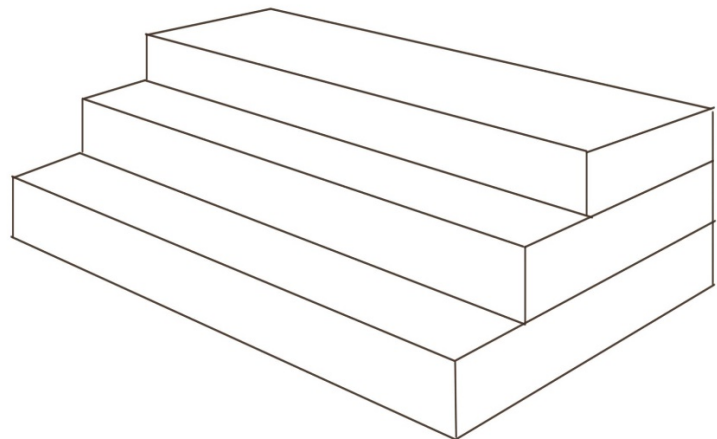
Try making a revolve for the stage floor: take a piece of mountboard the size of your stage floor and use a compass, or draw around a small plate or circular object. You will need to be very careful when you cut out the circle, meaning it is able to revolve within the gap left.

Place a split pin or push pin directly in the centre, through the stage floor below. This will make the circle shape turn freely, and allow you to experiment with a revolving stage

To make steps or platforms very simply: cut out rectangles of foamboard of various widths. The thickness of the foamboard will give you the tread height, and you can simply glue the pieces on top of each other to create steps, levels and platforms.

You can experiment with rounded steps, full staircases or rostra.

Make a few steps, blocks or platforms of various sizes to experiment with inside your model box.



Cut out legs and borders to change the view of your stage 'portal' with cardboard, foamboard or felt.

These can be 'flown in' through the top of your model box to significantly change the mood of the scene.

Make legs and borders of different sizes to experiment with sightlines into the wings of your stage space.

Shoebox Theatre Project- Resource List

For the structure:

- Foamboard/carboard
(available in various thicknesses- I have used 5mm foamboard)
- Superglue/ all-purpose adhesive
- Stanley knife or scalpel
- Cutting mat
- Masking tape
- Dressmaking pins (use these to support joins)

For the furniture/architecture:

- Mountboard
- Foamboard (peel off top layer of paper to score or carve directly into foam)
- Wood veneers
(very thin offcuts of real wood- can be mounted on mountboard, or applied directly to the 'walls' or 'floor' or used as wood panelling. Find at a model shop, furniture maker or online)
- Battery powered LEDs for lighting

For decoration:

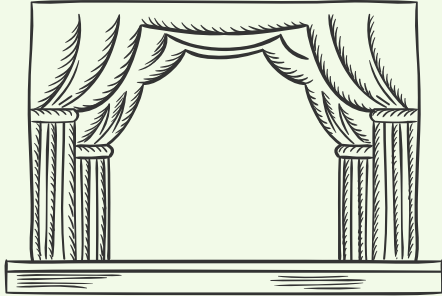
- Acrylic paint
(can be mixed with sand for a rough concrete texture, or applied thickly to emulate plaster on walls)
- Watercolour paint
(wash over wood veneers to change the colour or 'dirty down')
- Printed strips of paper for wallpaper
- Felt for a rug or carpet

Tools:

- Craft knife
- Cutting mat
- Paint brushes of various sizes
- Palette
- Sponges
- Scissors
- Metal ruler/Scale ruler
- Pencil
- Permanent marker
- Scale figures/furniture

All equipment is available in art supply shops, or online. Specialist model making shops like the 4D Model Shop will stock various scale furniture and other elements to elevate the model.

Edward Gordon Craig



Gordon Craig was not interested in realism or naturalism on stage. He often created a proscenium of above average width (creating a cinematic letterbox view for the audience)

Key Facts

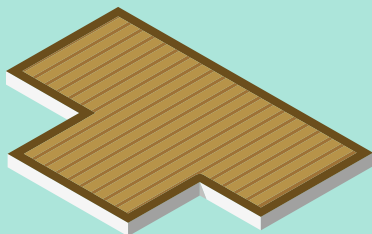
Gordon Craig was a visionary theatre-maker, director and designer. He was born in 1872 into a theatrical family and died in 1966.

Did you know?

One of his most famous projects was a co-production of Hamlet in 1912, with Stanislavski



Blocks & Levels



Kinetic Theatre

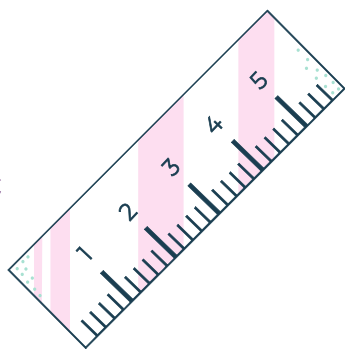
Pieces move in and out of the space for different scenes and architectural flats and platforms could move and reform, creating many scenic configurations from a basic set of building blocks. He developed and patented a set of moving white/grey screens that would move around and transform the stage, and relied on lighting to change the mood of the production.

For several years Craig collaborated with other theatre innovators, including Otto Brahm, Max Reinhardt, and Eleanora Duse.

Key Elements of Set Design

Practicality & Shape

The physical features of the set and how the actors use the space to tell the story.



Scale

How set pieces relate to each other, the actors and the audience, in terms of size (usually 1:25).



Colour

How colours within the set evoke certain emotions and associations for the audience.



Faux Effects

Using skills in scenic carpentry and painting to create specific effects.



Masking

Masking hides any distractions which might be in the wings or backstage.

Set Dressing

Consideration of the props and furniture on stage (e.g. chairs, books etc)



www.weteachdrama.com

info@weteachdrama.com

© We Teach Drama Ltd